



EZ17

Tracked Zero Tail excavator

Compact, powerful, and maneuverable

The EZ17 compact excavator is the most powerful zero tail excavator in its class. The large-volume diesel engine, LUDV (Load Sensing System) and an innovative cooling system provide the highest levels of performance and efficiency. The compact and durable design guarantees a long service life. The EZ17 offers the operator an unrestricted field of vision through the roof window.

Highlights

- 100 % Zero Tail
- Canopy can be easily disassembled
- Up to four additional factory-installed control circuits
- Powerful drive system with LUDV
- Swivel bracket

Technical Data

Hydraulic

Operating pressure hydraulics	240.0 bar
Flow rate	39.0 l/min
Tank capacity	21.0 l

Mechanical - Output Details

Nominal rotation speed	2,200.0 1/min
Gradeability	26.8 %
Travel speed stage 1	2.6 km/h
Travel speed stage 2	4.5 km/h

Mechanical Details

Length	3,570.0 mm
Width	990.0 mm
Height	2,360.0 mm
Operating weight (min.-max.)	1,805.0 - 2,085.0 kg
Digging depth (max.)	2,326.0 mm

Engine

Cooling	Water-cooling
Engine type	Diesel engine
Cylinder	3.0
Cylinder capacity	1,266.0 cm3
Tank capacity	22.0 l

Effective power	13.4 KW
Nominal Engine speed	2,200.0 1/min
Operating power	13.4 KW
Operating Engine speed	2,200.0 1/min
Starter battery Voltage	12.0 V
Battery capacity (nom. value)	44.0 Ah
Engine Manufacturer	Yanmar
Engine Designation	3TNV80F-SSWN1

Environment Data

Sound level LpA	79.0 dB(A)
Sound power LWA, measured	93.0 dB(A)
Sound power LWA, guaranteed	93.0 dB(A)
Exhaust gas limit values	EU Stage V

Operating Fluids

Hydraulic fluid volume	21.0 l
------------------------	--------

Chassis

Traction drive	Axialpistonmotor with RGU
Operating pressure	240.0 bar

Shipping and Storage

Length for shipping	3,570.0 mm
Width for shipping	990.0 mm

Height for shipping

2,362.0 mm

Shipping weight

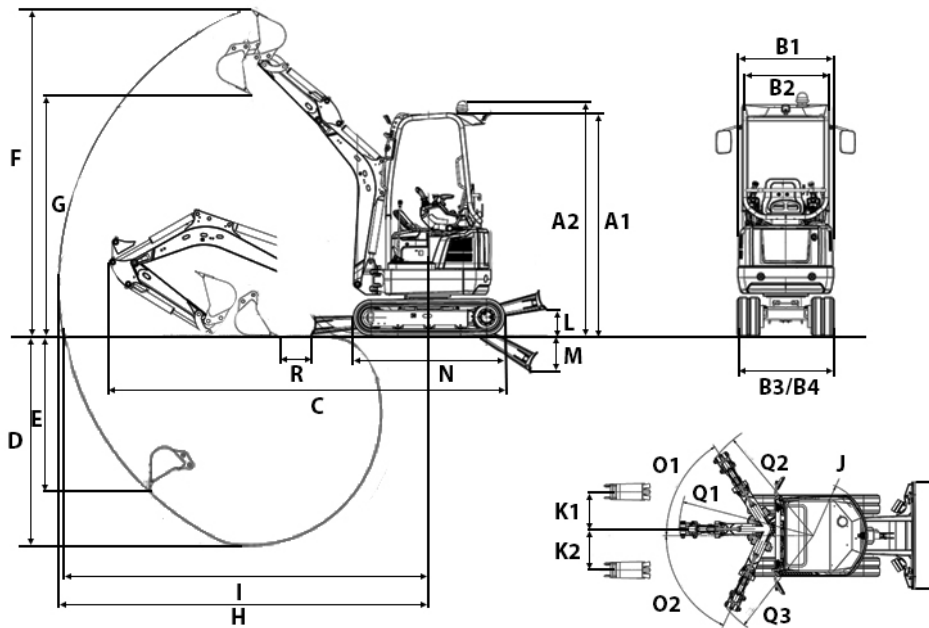
1,730.0 kg

Available engines

Yanmar 3TNV80F-SSWN1

Cooling	Water-cooling
Engine type	Diesel engine
Cylinder	3
Cylinder capacity	1,266 cm ³
Fuel	Diesel EN 590
Effective power	13.4 KW
Nominal Engine speed	2,200 kg/m ² s
Maximum torque	65.6 ~
Engine speed (max. torque)	1,600 kg/m ² s
Engine Manufacturer	Yanmar
Engine Designation	3TNV80F-SSWN1
Stroke	84 mm
Bore	80 mm

Dimensions



A1	Height of canopy	2,362 mm
A2	Total height with rotating beacon	2,538 mm
B1	Width of upper carriage	990 mm
B2	Width of cab	884 mm
B3	Width travel gear	1,300 mm
B4	Width travel gear retracted	990 mm
C2	Transport length short shovel arm	3,584 mm
C3	Transport length long shovel arm	3,551 mm
D2	Digging depth max., short shovel arm	2,326 mm
D3	Digging depth max., long shovel arm	2,486 mm
E2	Piercing depth max., short shovel arm	1,713 mm
E3	Piercing depth max., long shovel arm	1,863 mm
F2	Piercing height max., short shovel arm	3,462 mm
F3	Piercing height max., long shovel arm	3,576 mm
G2	Dumping height max., short shovel arm	2,436 mm
G3	Dumping height max., long shovel arm	2,550 mm
H2	Digging radius max., short shovel arm	3,899 mm
H3	Digging radius max., long shovel arm	4,050 mm
I2	Max. reach at ground level (short shovel arm)	3,848 mm
I3	Max. reach at ground level (long shovel arm)	4,002 mm
J1	Tail swing radius	660 mm
K1	Boom offset max. (to center of bucket right side)	533 mm
K2	Boom offset max. (to center of bucket left side)	418 mm
L1	Stacking height max. (dozer blade above surface)	271 mm
M1	Digging depth max. (dozer blade below surface)	390 mm
N1	Length travel drive	1,607 mm
O1	Max. swivel angle (arm system to the left)	65 °
O2	Max. swivel angle (arm system to the right)	57 °
Q1	Boom swing radius center	1,627 mm
Q2	Boom swing radius right	1,519 mm
Q3	Boom swing radius left	1,372 mm
R2	Distance bucket dozer blade, long shovel arm	332 mm